

LIFTRONIC® - LINEAR



MAX GROSS
CAPACITY
FROM 52 TO 208KG



VERTICAL
STROKE
MAX 1.42M



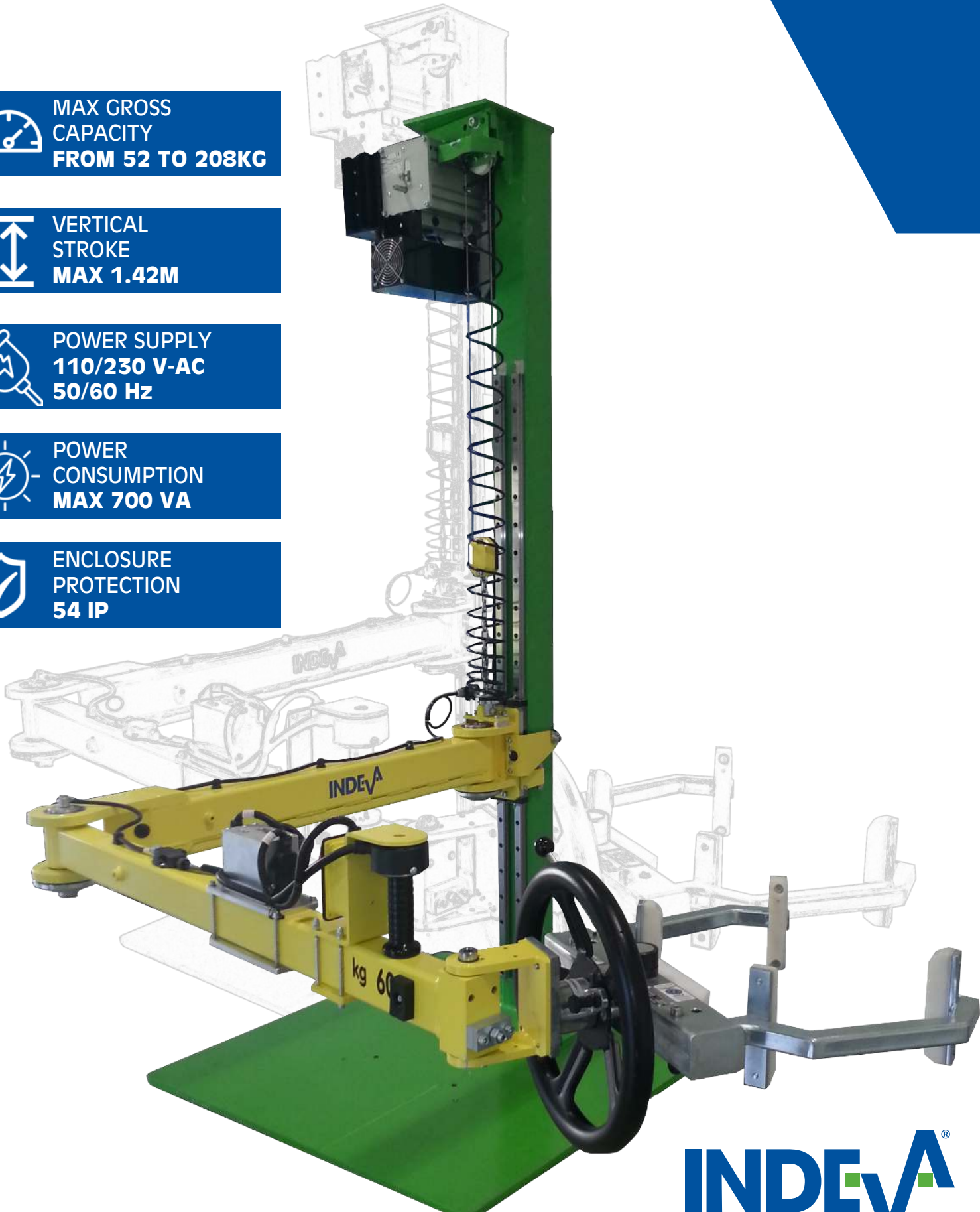
POWER SUPPLY
110/230 V-AC
50/60 Hz



POWER
CONSUMPTION
MAX 700 VA



ENCLOSURE
PROTECTION
54 IP



LIFTRONIC[®] WITH COLUMN & ORBIT-ARM

	LIGHT MODEL							
	LM160L	LM240L	LM160L	LM240L	LM160L	LM240L	LM160L	LM240L
Gross load cap.(Kg)	52	75	60	105	67	140	74	154
Max vert stroke C (mm)	1420*							
R2 (mm) out-of-reach area	828	828	700	700	575	575	450	450
R (mm)	3000	3000	2500	2500	2000	2000	1500	1500
Speed - max load (mm/sec)	300	200	300	200	300	200	300	200
Max rotation around column axis (deg)	180°							

* Increased vertical stroke is possible (refer to INDEVA technical office)

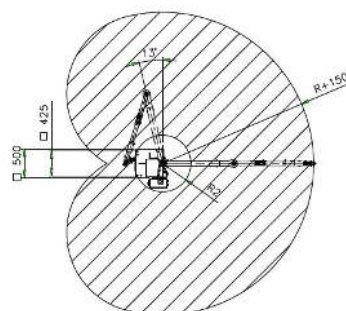
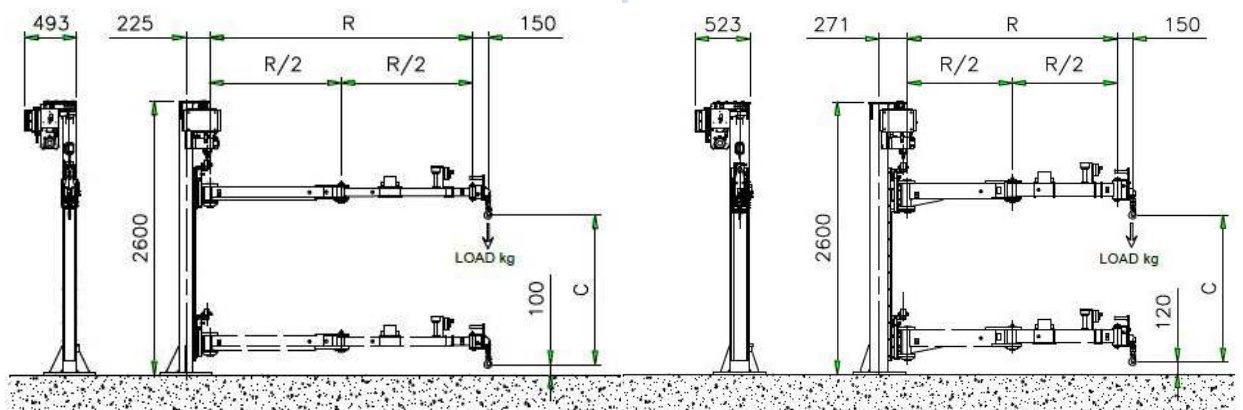
	HEAVY MODEL										
	LM240H	LM240H	LM320H	LM240H	LM320H	LM240H	LM320H	LM240H	LM320H	LM240H	LM320H
Gross load cap. (Kg)	85	95	120	104	165	112	192	120	200	128	208
Max vert stroke C (mm)	1420*										
R2 (mm) out-of-reach area	1320	1165	1165	1010	1010	850	850	695	695	540	540
R (mm)	4000	3500	3500	3000	3000	2500	2500	2000	2000	1500	1500
Speed - max load (mm/sec)	200	200	150	200	150	200	150	200	150	200	150
Max rotation around column axis (deg)	180°										

* Increased vertical stroke is possible (refer to INDEVA technical office)

Holes for mechanical anchor bolt: Ø27
Holes for chemical anchor bolt: Ø19

Light model:

Heavy model:



Due to continuous product improvement, these specifications may change without notice.

This document is property of INDEVA S.p.A.; any partial or full reproduction without written authorization by the owner is prohibited.

LINEAR MANIPULATOR - CAPACITIES TABLE

		ARM LENGTH R1 (m)										
		1.5	1.75	2.00	2.25	2.50	2.75	3.00	3.25	3.50	3.75	4.00
L = Light - LM160L	Load cap kg	74	70	67	63	60	56	52	-	-	-	-
L = Light - LM240L	Load cap kg	154	150	140	122	105	90	75	-	-	-	-
H = Heavy - LM240H	Load cap kg	128	124	120	116	112	108	104	100	95	90	85
L = Heavy - LM320H	Load cap kg	208	204	200	196	192	185	165	140	120	-	-

Optionals on request:

- *Paint color: other than standard (green RAL 6018)*
- *Control unit and dedicated tooling*
- *Air kit for custom gripper*
- *Arm joint retainer*
- *Electromagnetic brake*
- *Pneumatic brake*
- *Zone sensor*
- *Base platform with adjustable feet*

